

TECHNICAL SPECIFICATIONS

MODEL		MAF004	
SERIAL NUMBER		FC15010104xxx	
Power Supply		220-240V / 1Ph / 50Hz	
Brand		COOLMAR	
Control		CM-MPC20 LCD	
Capacity	Btu/h	4.000	
Capaciyt	Kcal/h	1.010	
Heater Capacity	KW	-----	
Power	W	80	
F.L.A.	A	0,3	
DIMENTIONS (mm)		Height	280
		Lenght valve	360
		Lenght w/o valve	300
		Width	275
Body Material		304 Cr-Ni	
Paint Coating		Electrostatic Powder Coating	
Weight	Kg	6,5	
Volumetric Fluid Flow	m3/h	0,27	
Pressure Drop Air	kPa	17	
Pressure Drop Fluid	kPa	8,5	
Duct Diameter	mm	100	
Air Flow	m3/h	275	
Pipe Dimention	Water Pipe	inch (mm)	1/2" (12)
	Drainage	inch (mm)	5/8" (15)

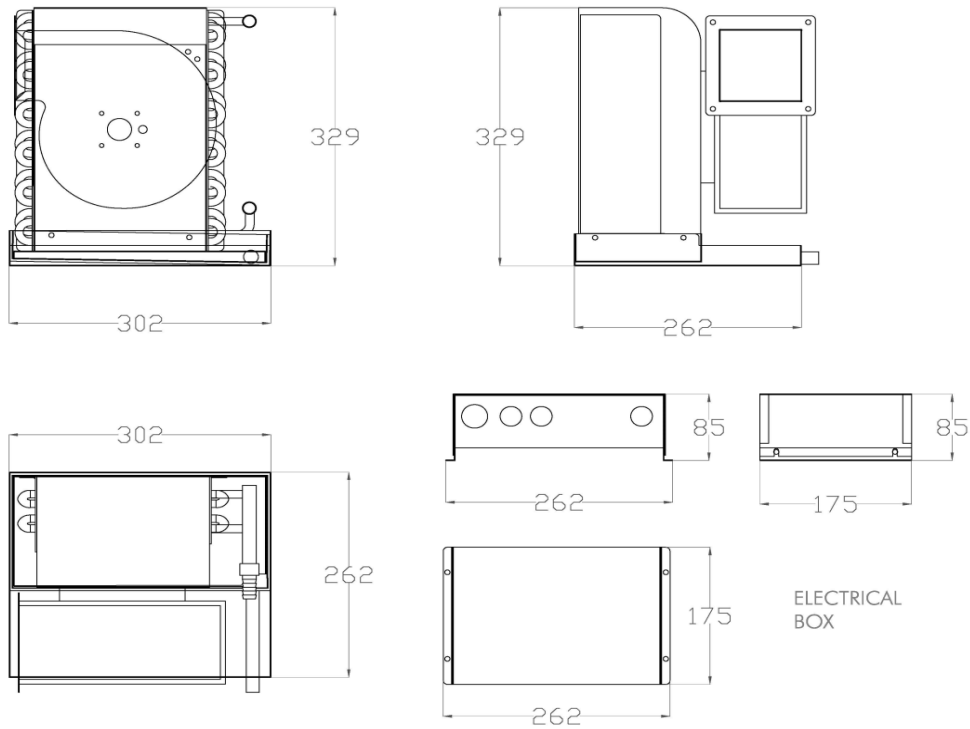
Capacity and electrical data operating conditions

Inlet Fluid Temperature : 5°C

Outlet Fluid Temperature : 10°C

All dimensions +- 0,35" / 9mm

All weigths +- 10%



TECHNICAL SPECIFICATIONS

MODEL		MAF008	
SERIAL NUMBER		FC15010108xxx	
Power Supply		220-240V / 1Ph / 50Hz	
Brand		COOLMAR	
Control		CM-MPC20 LCD	
Capacity	Btu/h	7.500	
Capaciyt	Kcal/h	1.894	
Heater Capacity	KW	-----	
Power	W	115	
F.L.A.	A	0,5	
DIMENTIONS (mm)	Height	329	
	Lenght valve	360	
	Lenght w/o valve	300	
	Width	275	
Body Material		304 Cr-Ni	
Paint Coating		Electrostatic Powder Coating	
Weight	Kg	9	
Volumetric Fluid Flow	m3/h	0,38	
Pressure Drop Air	kPa	18,4	
Pressure Drop Fluid	kPa	9	
Duct Diameter	mm	100	
Air Flow	m3/h	330	
Pipe Dimention	Water Pipe	inch (mm)	1/2" (12)
	Drainage	inch (mm)	5/8" (15)

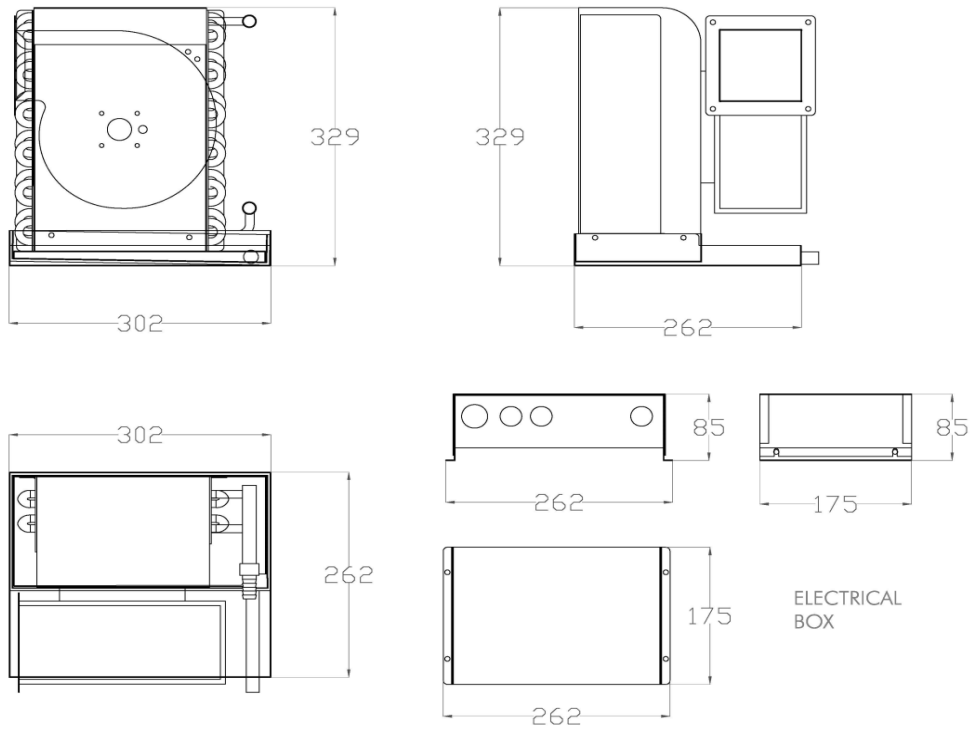
Capacity and electrical data operating conditions

Inlet Fluid Temperature : 5°C

Outlet Fluid Temperature : 10°C

All dimensions +- 0,35" / 9mm

All weigths +- 10%



TECHNICAL SPECIFICATIONS

MODEL		MAF010	
SERIAL NUMBER		FC15010110xxx	
Power Supply		220-240V / 1Ph / 50Hz	
Brand		COOLMAR	
Control		CM-MPC20 LCD	
Capacity	Btu/h	9.700	
Capaciyt	Kcal/h	2.449	
Heater Capacity	KW	-----	
Power	W	115	
F.L.A.	A	0,5	
DIMENTIONS (mm)	Height	280	
	Lenght valve	360	
	Lenght w/o valve	300	
	Width	275	
Body Material		304 Cr-Ni	
Paint Coating		Electrostatic Powder Coating	
Weight	Kg	9,5	
Volumetric Fluid Flow	m3/h	0,49	
Pressure Drop Air	kPa	38	
Pressure Drop Fluid	kPa	16	
Duct Diameter	mm	125	
Air Flow	m3/h	380	
Pipe Dimention	Water Pipe	inch (mm)	5/8" (15)
	Drainage	inch (mm)	5/8" (15)

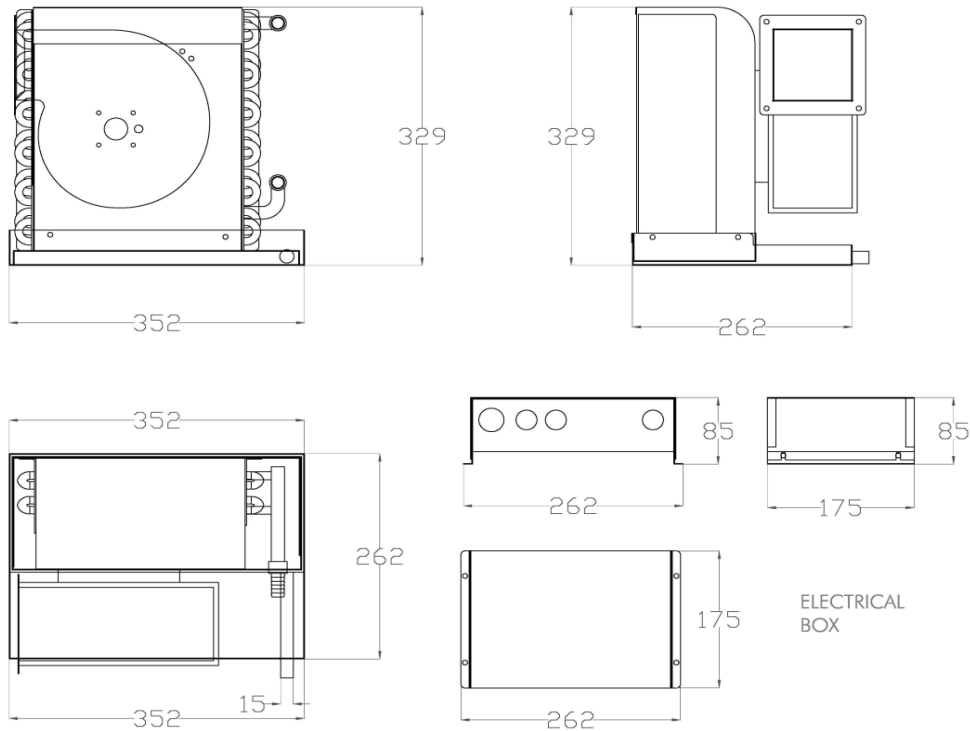
Capacity and electrical data operating conditions

Inlet Fluid Temperature : 5°C

Outlet Fluid Temperature : 10°C

All dimensions +- 0,35" / 9mm

All weigths +- 10%



TECHNICAL SPECIFICATIONS

MODEL		MAF012	
SERIAL NUMBER		FC15010112xxx	
Power Supply		220-240V / 1Ph / 50Hz	
Brand		COOLMAR	
Control		CM-MPC20 LCD	
Capacity	Btu/h	12.500	
Capaciyt	Kcal/h	3.157	
Heater Capacity	KW	-----	
Power	W	180	
F.L.A.	A	0,8	
DIMENTIONS (mm)		Height	329
		Lenght valve	420
		Lenght w/o valve	350
		Width	275
Body Material		304 Cr-Ni	
Paint Coating		Electrostatic Powder Coating	
Weight	Kg	13	
Volumetric Fluid Flow	m3/h	60	
Pressure Drop Air	kPa	80	
Pressure Drop Fluid	kPa	8,2	
Duct Diameter	mm	125	
Air Flow	m3/h	480	
Pipe Dimention	Water Pipe	inch (mm)	5/8" (15)
	Drainage	inch (mm)	5/8" (15)

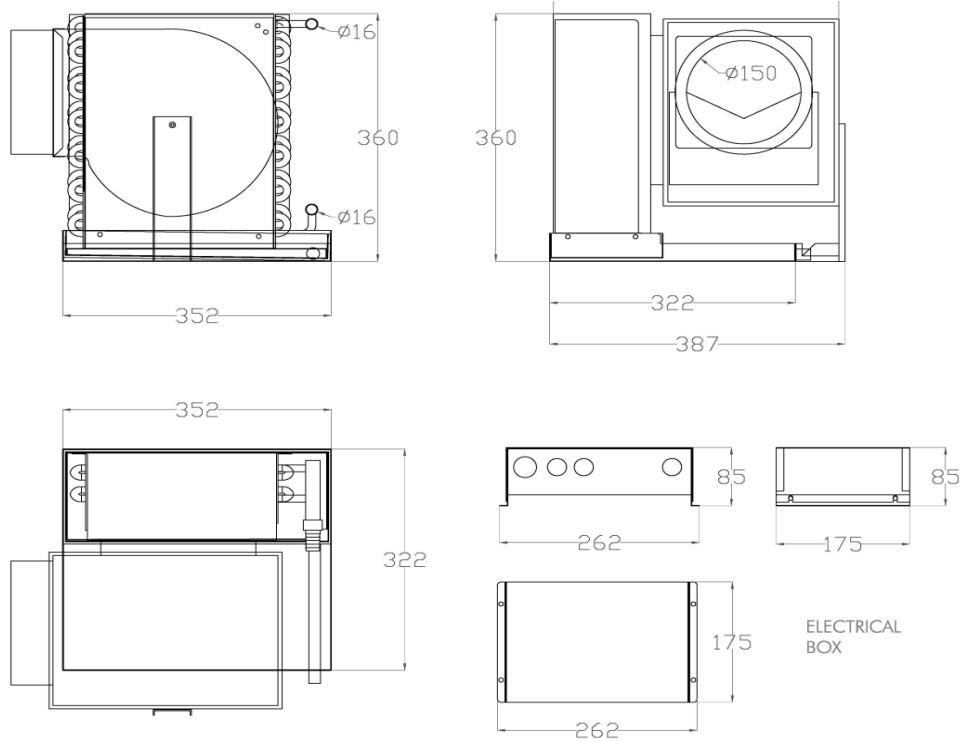
Capacity and electrical data operating conditions

Inlet Fluid Temperature : 5°C

Outlet Fluid Temperature : 10°C

All dimensions +- 0,35" / 9mm

All weigths +- 10%



TECHNICAL SPECIFICATIONS

MODEL		MAF016	
SERIAL NUMBER		FC15010116xxx	
Power Supply		220-240V / 1Ph / 50Hz	
Brand		COOLMAR	
Control		CM-MPC20 LCD	
Capacity	Btu/h	16.000	
Capaciyt	Kcal/h	4.040	
Heater Capacity	KW	-----	
Power	W	180	
F.L.A.	A	0,8	
DIMENTIONS (mm)		Height	280
		Lenght valve	450
		Lenght w/o valve	350
		Width	385
Body Material		304 Cr-Ni	
Paint Coating		Electrostatic Powder Coating	
Weight	Kg	18	
Volumetric Fluid Flow	m3/h	0,82	
Pressure Drop Air	kPa	95	
Pressure Drop Fluid	kPa	15	
Duct Diameter	mm	150	
Air Flow	m3/h	620	
Pipe Dimention	Water Pipe	inch (mm)	1/2" (12)
	Drainage	inch (mm)	5/8" (15)

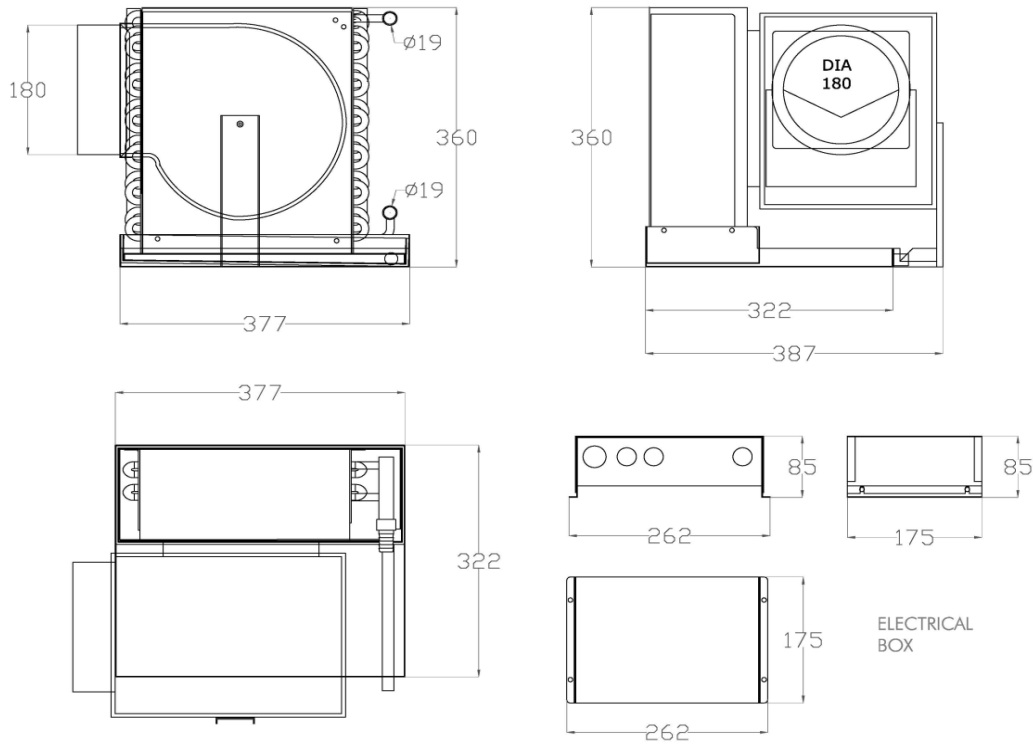
Capacity and electrical data operating conditions

Inlet Fluid Temperature : 5°C

Outlet Fluid Temperature : 10°C

All dimensions +- 0,35" / 9mm

All weigths +- 10%



TECHNICAL SPECIFICATIONS

MODEL		MAF020	
SERIAL NUMBER		FC15010120xxx	
Power Supply		220-240V / 1Ph / 50Hz	
Brand		COOLMAR	
Control		CM-MPC20 LCD	
Capacity	Btu/h	20.000	
Capaciyt	Kcal/h	5.051	
Heater Capacity	KW	-----	
Power	W	300	
F.L.A.	A	1,4	
DIMENTIONS (mm)	Height	360	
	Lenght valve	480	
	Lenght w/o valve	380	
	Width	385	
Body Material		304 Cr-Ni	
Paint Coating		Electrostatic Powder Coating	
Weight	Kg	19	
Volumetric Fluid Flow	m3/h	1,08	
Pressure Drop Air	kPa	102	
Pressure Drop Fluid	kPa	32	
Duct Diameter	mm	180	
Air Flow	m3/h	750	
Pipe Dimention	Water Pipe	inch (mm)	3/4" (19)
	Drainage	inch (mm)	5/8" (15)

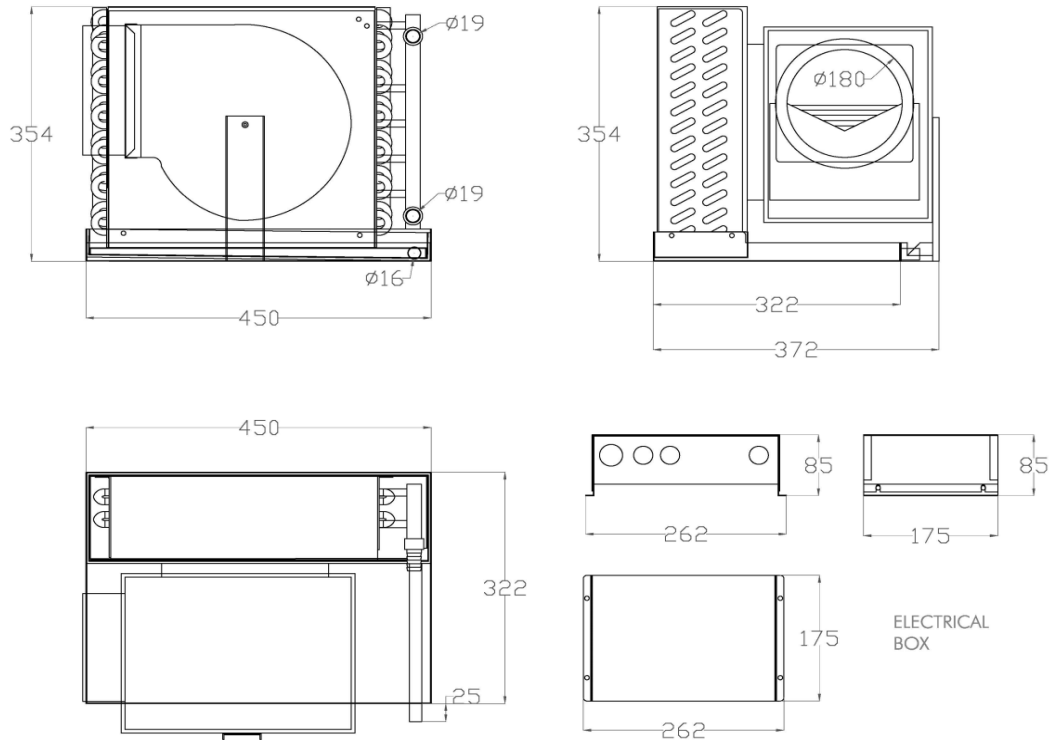
Capacity and electrical data operating conditions

Inlet Fluid Temperature : 5°C

Outlet Fluid Temperature : 10°C

All dimensions +- 0,35" / 9mm

All weigths +- 10%



TECHNICAL SPECIFICATIONS

MODEL		MAF024	
SERIAL NUMBER		FC15010124xxx	
Power Supply		220-240V / 1Ph / 50Hz	
Brand		COOLMAR	
Control		CM-MPC20 LCD	
Capacity	Btu/h	24.000	
Capaciyt	Kcal/h	6.061	
Heater Capacity	KW	-----	
Power	W	300	
F.L.A.	A	1,4	
DIMENTIONS (mm)		Height	360
		Lenght valve	450
		Lenght w/o valve	550
		Width	375
Body Material		304 Cr-Ni	
Paint Coating		Electrostatic Powder Coating	
Weight	Kg	20	
Volumetric Fluid Flow	m3/h	1,25	
Pressure Drop Air	kPa	105	
Pressure Drop Fluid	kPa	29	
Duct Diameter	mm	180	
Air Flow	m3/h	1050	
Pipe Dimention	Water Pipe	inch (mm)	3/4" (19)
	Drainage	inch (mm)	5/8" (15)

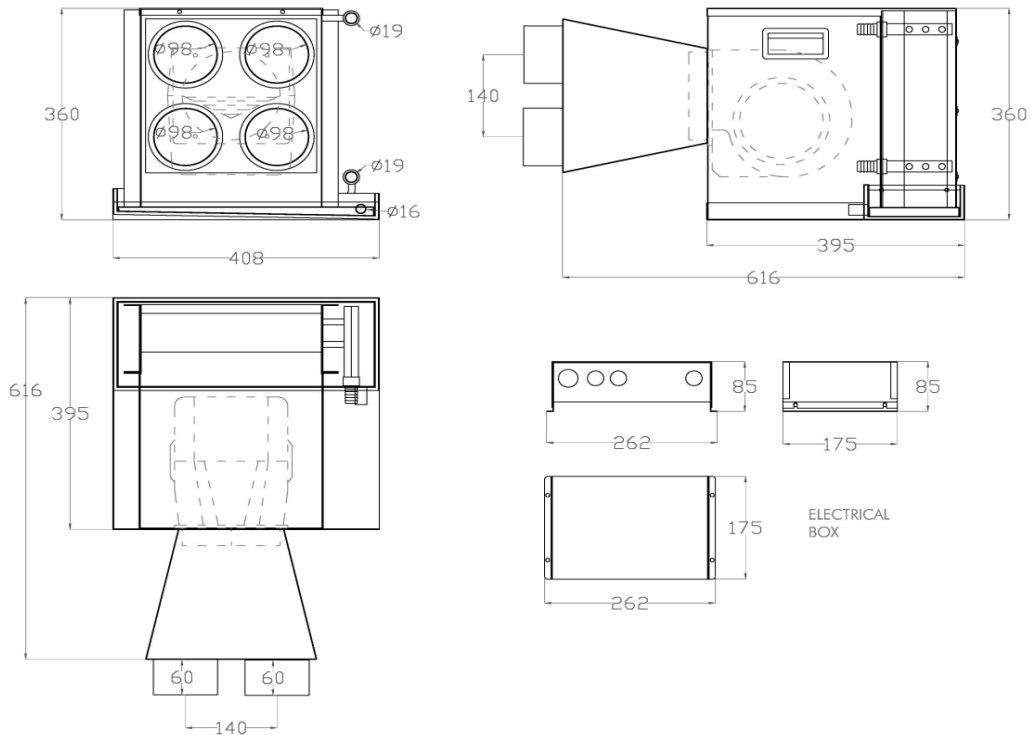
Capacity and electrical data operating conditions

Inlet Fluid Temperature : 5°C

Outlet Fluid Temperature : 10°C

All dimensions +- 0,35" / 9mm

All weigths +- 10%



TECHNICAL SPECIFICATIONS

MODEL		MAF024 FA	
SERIAL NUMBER		FC15010104xxx	
Power Supply		220-240V / 1Ph / 50Hz	
Brand		COOLMAR	
Control		CM-MPC20 LCD	
Capacity	Btu/h	24.000	
Capaciyt	Kcal/h	6.061	
Heater Capacity	KW	-----	
Power	W	300	
F.L.A.	A	1,4	
DIMENTIONS (mm)		Height	360
		Lenght valve	410
		Lenght w/o valve	510
		Width	620
Body Material		304 Cr-Ni	
Paint Coating		Electrostatic Powder Coating	
Weight	Kg	20	
Volumetric Fluid Flow	m3/h	1,25	
Pressure Drop Air	kPa	105	
Pressure Drop Fluid	kPa	29	
Duct Diameter	mm	180	
Air Flow	m3/h	1050	
Pipe Dimention	Water Pipe	inch (mm)	3/4" (19)
	Drainage	inch (mm)	5/8" (15)

Capacity and electrical data operating conditions

Inlet Fluid Temperature : 5°C

Outlet Fluid Temperature : 10°C

All dimensions +- 0,35" / 9mm

All weighs +- 10%